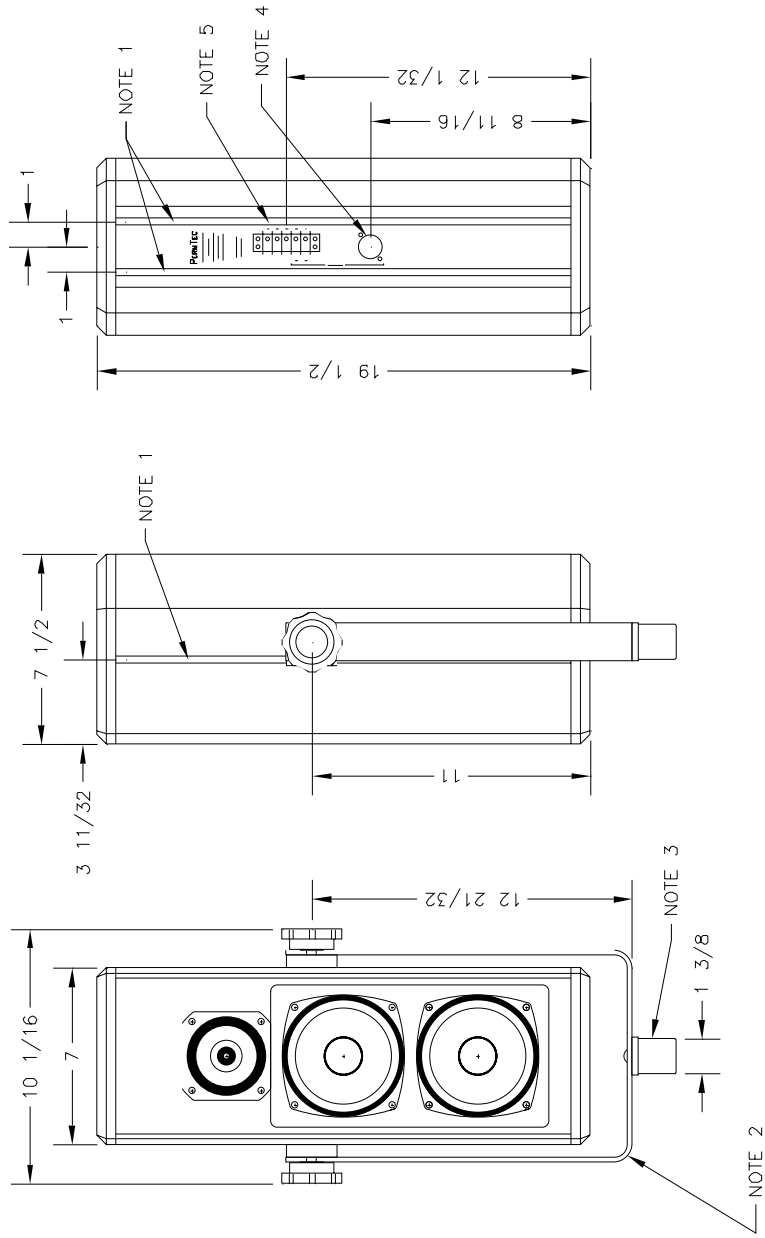


NOTES:

1. NUT CHANNEL ON EACH SIDE CONTAINS 3 10-32 LOCKING NUTS.
2. OPTIONAL MOUNTING BRACKET ASSEMBLY.
3. OPTIONAL ADAPTOR FITS ULTIMATE SUPPORT TUBING.
4. NEUTRIK NL4FC INPUT CONNECTOR
5. BARRIER STRIP HAS TERMINALS FOR OPTIONAL 70V TRANSFORMER.



PERMTEC, P100 CABINET



PROFESSIONAL AUDIO SYSTEMS
 3270 COSMOS COURT
 CARLSBAD, CA 92009
 (760) 431-9924 FAX: (760) 431-9496